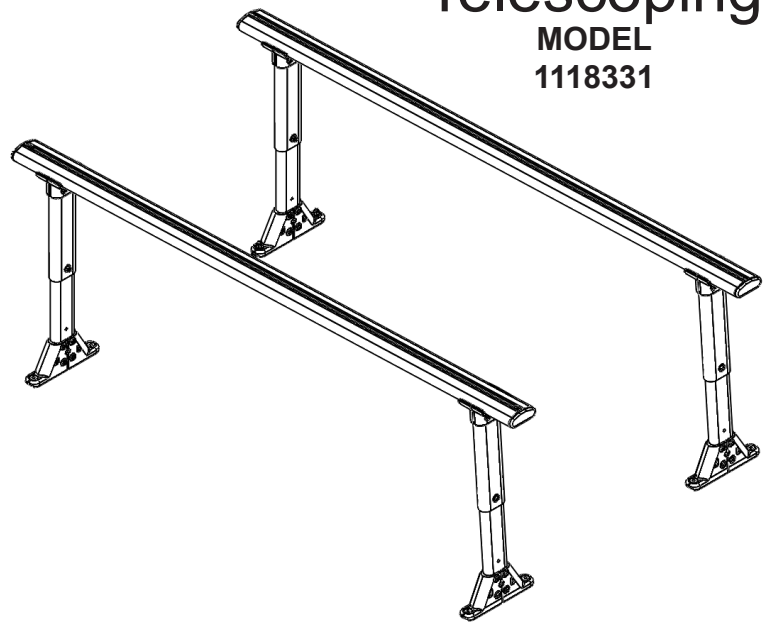


ELEVATE

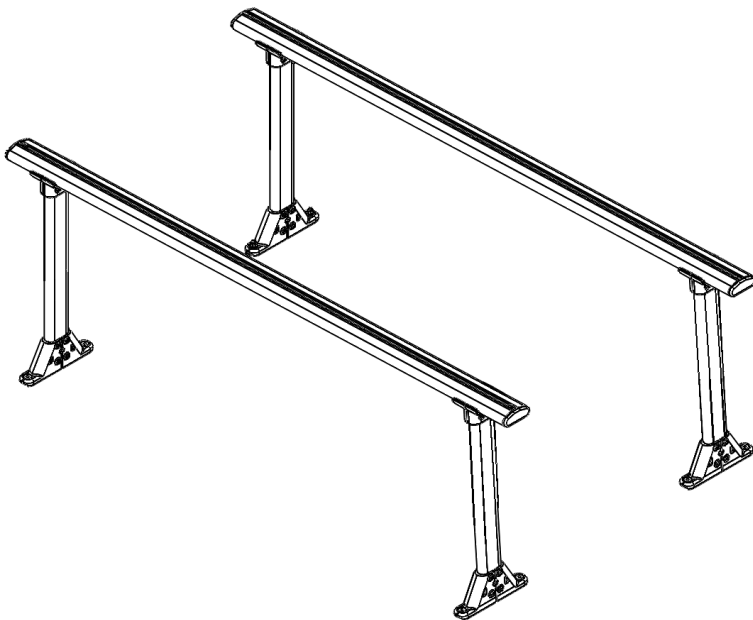
RACK SYSTEM

OWNERS MANUAL

Telescoping
MODEL
1118331



Fixed
MODEL
1118332



P.O. Box 1078, 2209 Kellen Gross Dr., Yankton SD 57078

Phone: (1-877-878-9336) Fax: (605) 664-9304

truck-hero.com/elevate-rack-system

LIMITED LIFETIME WARRANTY

Truck Hero, Inc. warrants that all new, unused products are free from defects in material and workmanship. This Limited Lifetime Warranty is effective if the product is properly installed and used for the purpose intended. It applies to the original buyer only. Truck Hero's obligation under this Warranty is limited to repairing, or at its option, replacing any part that is returned, transportation prepaid, to Truck Hero, Inc., Yankton, South Dakota, if the product is, in our judgment, defective. All materials must be accompanied by an RMA (Returned Material Authorization) number requested by and authorized in advance of returning the materials. Truck Hero, Inc. shall not be liable or responsible to supply or pay labor to replace any part found defective, nor shall it be liable for any damages of any kind or nature to person, product, or property.

There are no Warranties for used products or products that have been repaired, altered, modified, subjected to misuse, negligence, accident or ordinary wear and tear. Warranty registration must be on file and/or proof of original purchase (detailed and dated receipt) required for warranty to be valid. For warranty registration, see form at the bottom right of this page.

Truck Hero, Inc. products are sold without any express warranty except as set forth above. Truck Hero, Inc. is not obligated to honor warranty claims if Genuine Truck Hero, Inc. parts are not utilized.

SAFETY INSTRUCTIONS

1. All mounting fasteners must be securely tightened before operation.
2. The Rack System does NOT increase the load rating of the vehicle.
3. Caution must be taken before entering low hanging structures.

OWNER/USER RESPONSIBILITIES

It is the responsibility of the owner/user to read this manual and comply with the operating procedures. The owner/user is also responsible for inspecting the Elevate Rack System, and for having parts repaired or replaced when worn or damaged.

Failure to follow safety instructions and warning labels could result in failure of your Elevate Rack System and/or personal injury.

MESSAGES TO INSTALLER

- Always wear safety glasses and/or other necessary protective equipment when installing your Elevate Rack System.
- These instructions are complete for most pickup models. Additional instructions are included, if required for your truck. Please read entire manual before installing your Elevate Rack System.

TOOLS REQUIRED

1/2" Socket or wrench & 1/8" , 3/16" allen keys

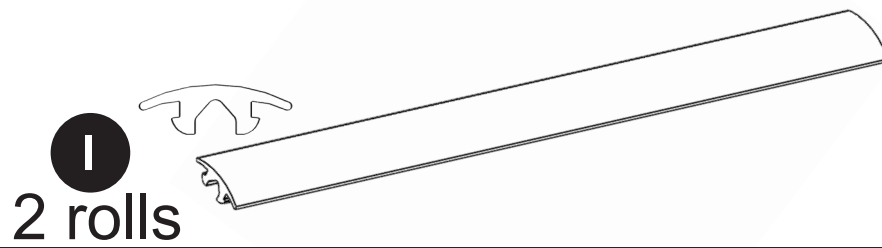
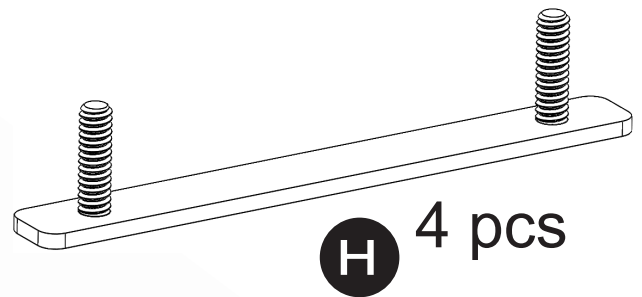
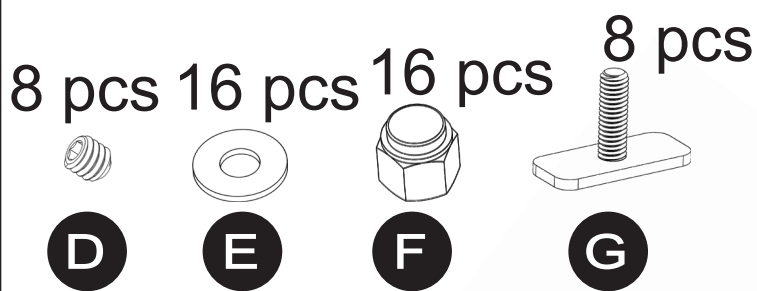
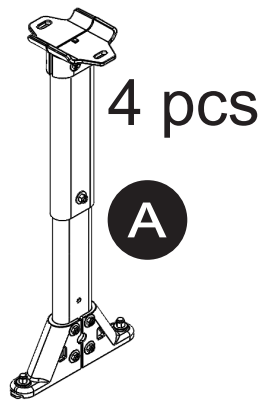
ELEVATE RACK SYSTEM MAINTENANCE

Rack System can be hand washed with soap and water. Remove Elevate Rack System before entering automatic car wash.

ELEVATE RACK SYSTEM LOAD RATING

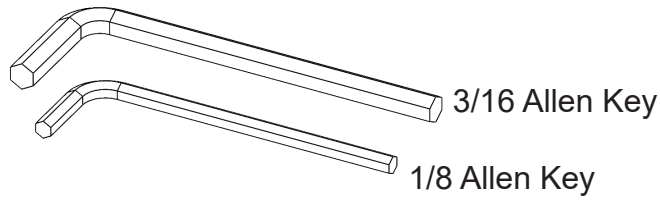
Rack System is rated for 750 lbs on road and 250 lbs off road.

**Warranty registration must be on file and/or proof of original purchase (detailed and dated receipt) required for warranty to be effective.
Register online at truck-hero.com/elevate-rack-system**



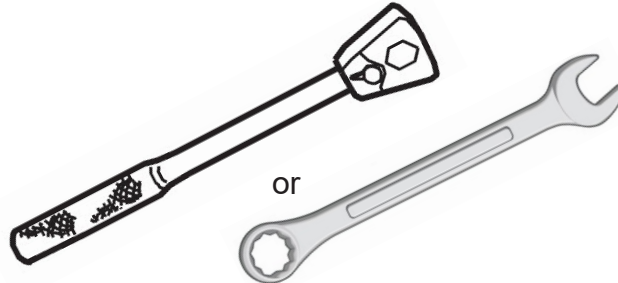
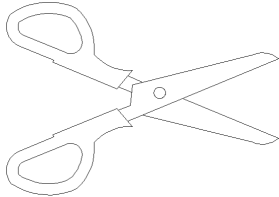
Part	Description	QTY.
A	1118331 Telescoping/1118332 Fixed - Upright Assembly	4
B	1706049 - Crossmember End Plug	4
C	1706253 - Crossmember	2
D	1706223 - Set Screw 1/4-20 x .25	8
E	1706224 - 5/16 SAE Washer	16
F	1706222 - Nylon Cap Nut 5/16-18	16
G	1706051 - Retainer Bar (Short)	8
H	1706050 - Retainer Bar (Long)	4
I	1118440 - Channel Guard	2

INCLUDED TOOLS

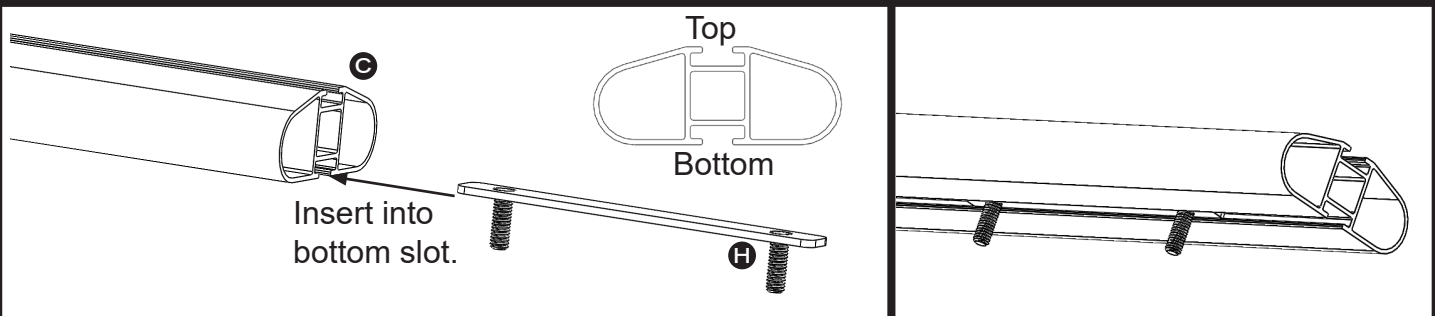


TOOLS THAT YOU WILL NEED

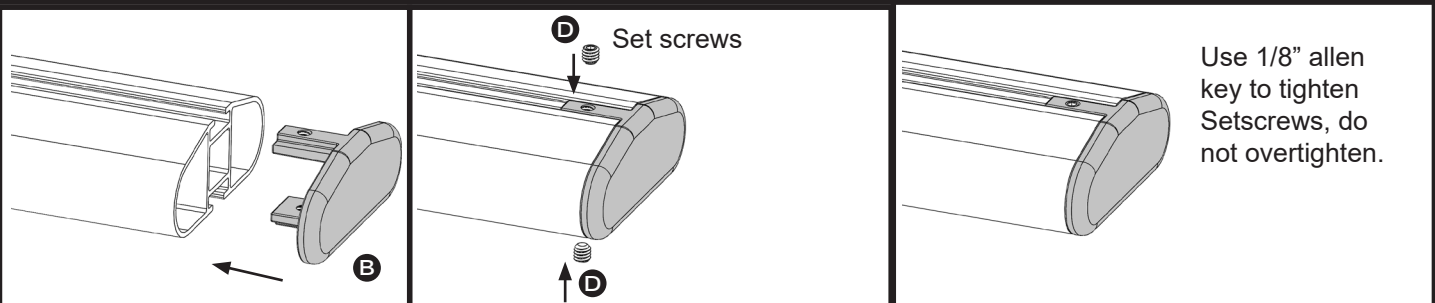
Scissors



1 INSERT TWO RETAINER BAR (LONG) PIECES INTO EACH CROSSMEMBER



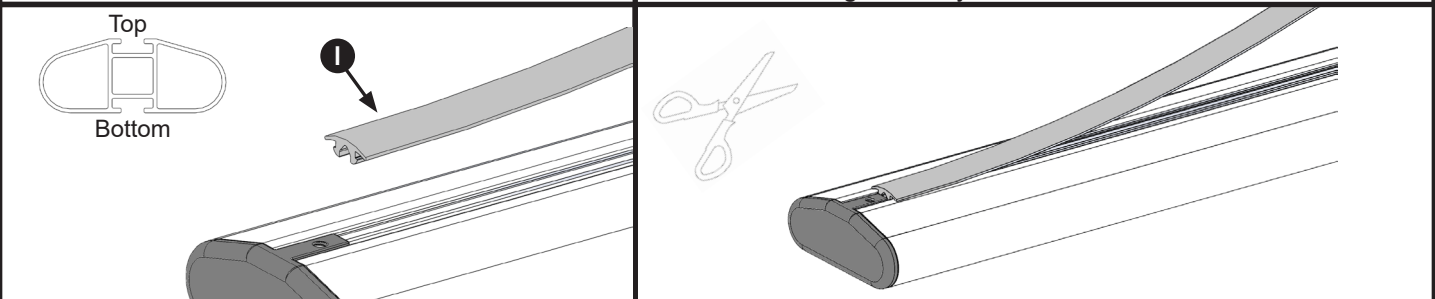
2 INSTALL ALL 4 CROSSMEMBER END PLUGS WITH SET SCREWS



3 INSTALL CHANNEL GUARD INTO THE TOP SLOT ON BOTH CROSSMEMBERS

Install the channel guard.

Start the piece at one end, once started you should be able to snap the seal down the channel to the other end plug. If there is excess, channel guard may need to be cut to fit.



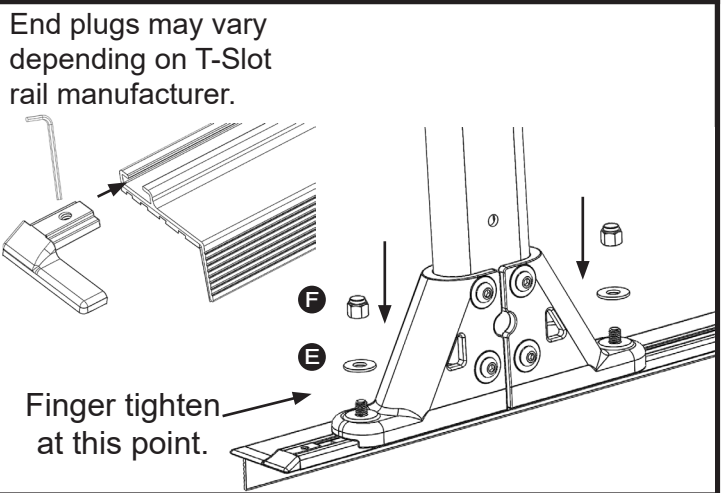
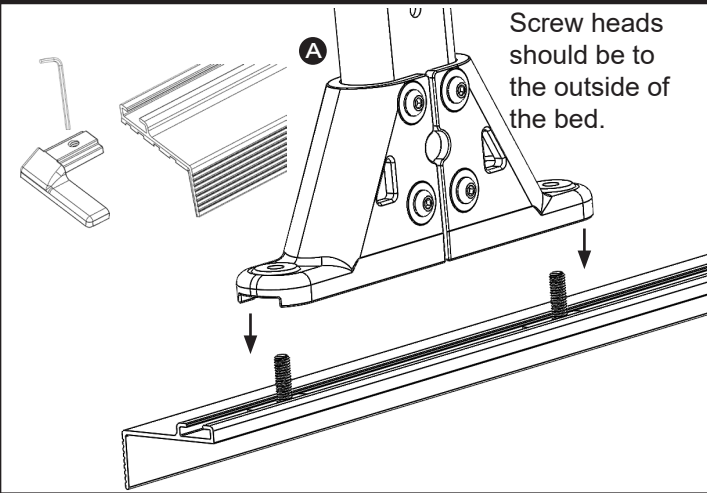
SET ASSEMBLED CROSSMEMBERS TO THE SIDE.

4

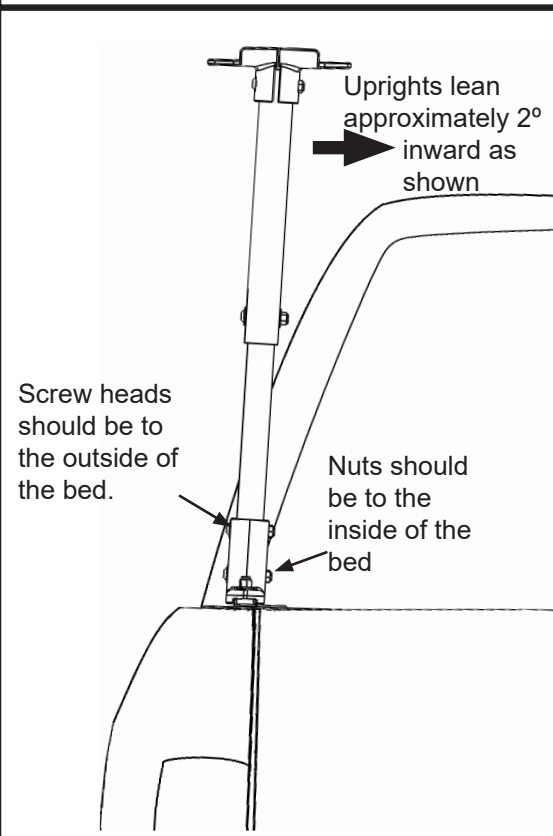
INSTALL UPRIGHTS ON TO T-SLOT COMPATIBLE RAILS.

Remove T-slot compatible rail end plug. Put retainer bar (short) into the adapter rail. Space retainer bars to align with the holes of the base in the upright assemblies.

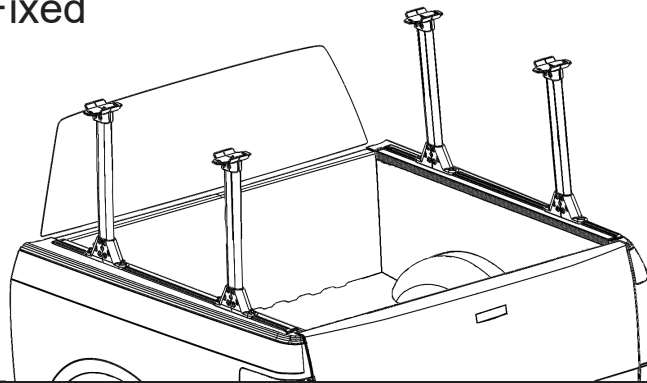
Install rail end plug, use 1/8" allen key to tighten set screws, do not overtighten. Install hardware for the upright base.



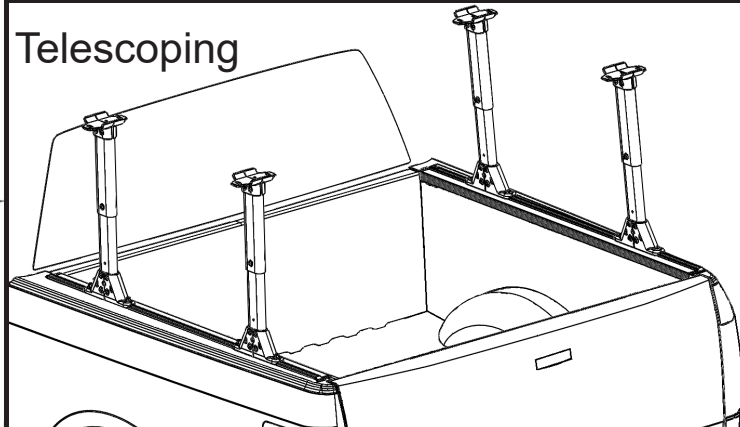
Correct uprights should lean slightly to the inside of the bed of the pick up. This is true for both fixed and telescoping rack systems. After installation check to see that uprights lean toward the inside of the pickup bed. At this time the uprights should be able to move freely without binding, before moving onto the next step.



Fixed



Telescoping

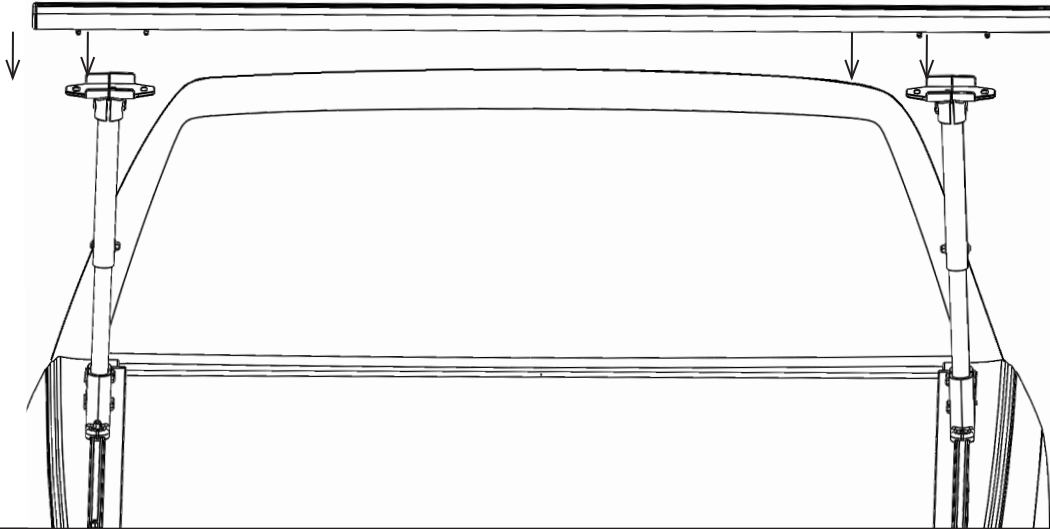


Position uprights in dsired location, and tighten down.

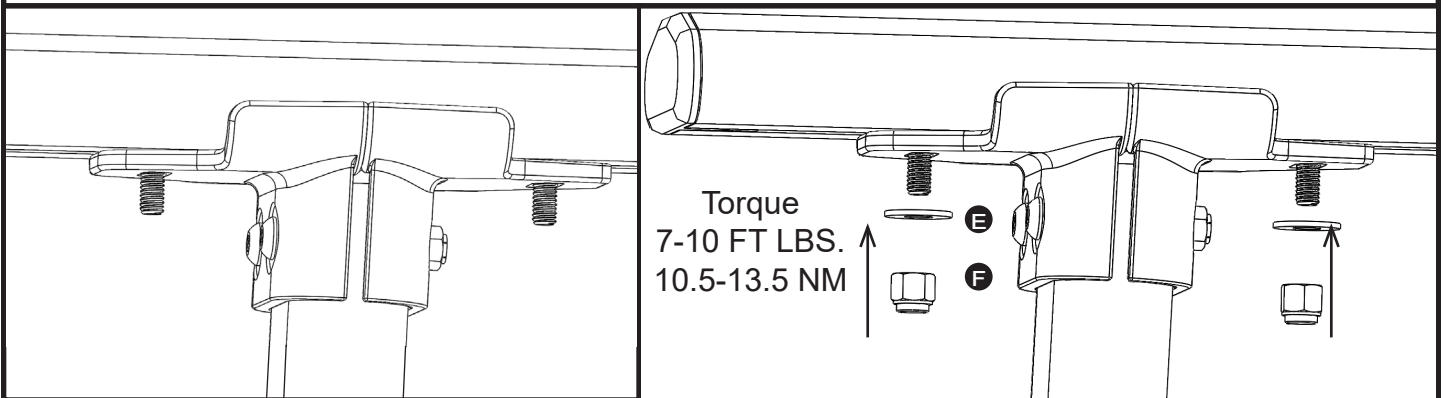
5

INSTALLING CROSSMEMBER TO UPRIGHTS

Align the retainer bar with the holes in the upright housings, carefully set the crossmember down and adjust as needed. Center the crossmember left to right with the two uprights. Repeat step with other crossmember.



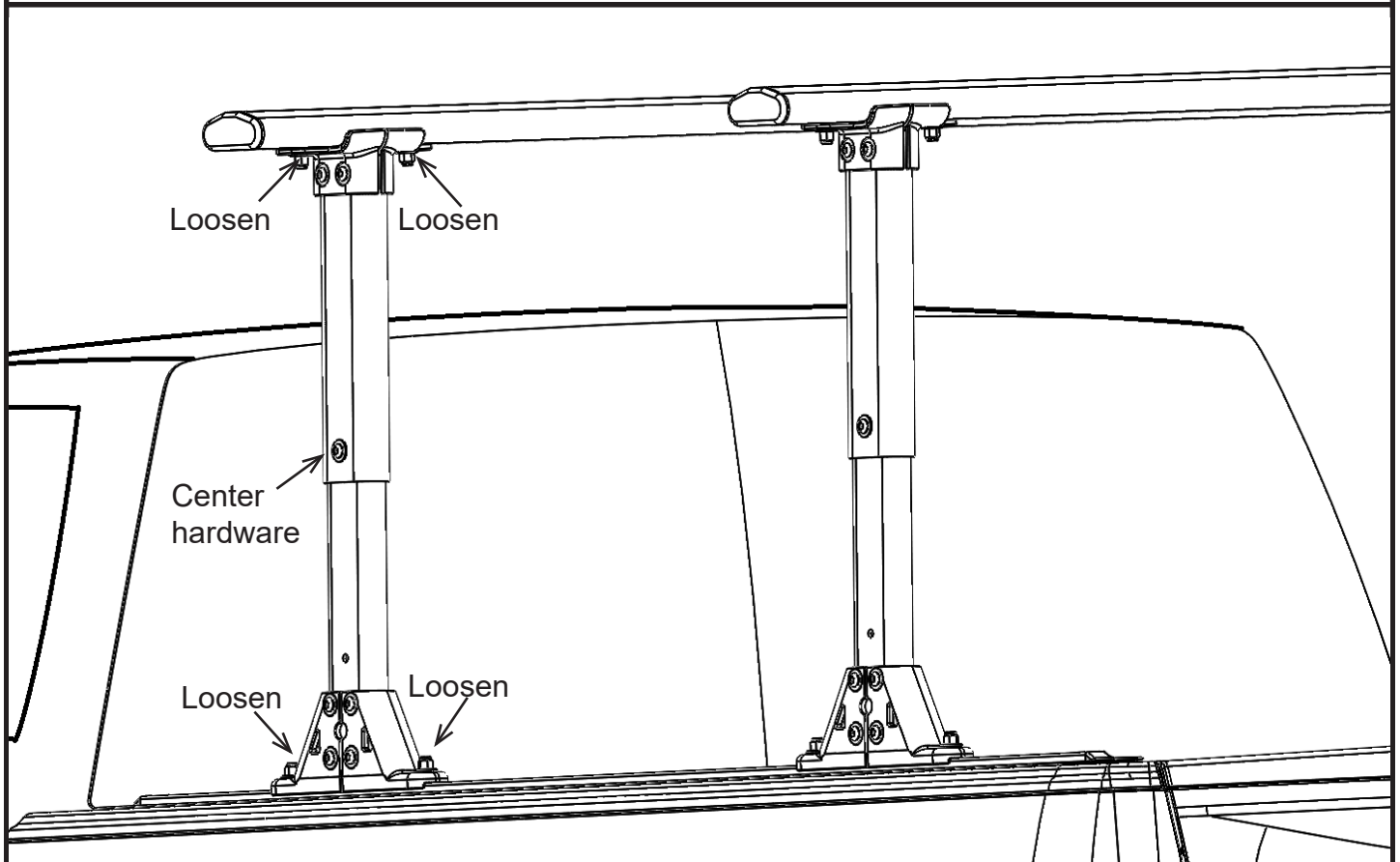
Once you have centered the crossmember with the uprights, use the hardware supplied and secure the crossmember to the uprights. Try to make sure the crossmember moves as little as possible left to right when securing with the hardware. Do not overtighten.



Tighten down the upright bases before operating vehicle.

Adjusting and moving the Elevate Rack System

When moving the rack on the T-slot compatible rails, loosen the four cap nuts illustrated on each upright to assist in re-positioning of the rack. Once repositioned retighten the nuts. To adjust the Telescoping feature of the Elevate Telescoping Rack System, remove the center hardware.



ELEVATE RACK SYSTEM GUIDELINES

- Review all instruction, guidelines, and warranty information before installing or using the Truck Hero Elevate Rack System.
- Contact Truck Hero or your Truck Hero dealer with any questions regarding proper operations of the Elevate Rack System.
- Check State and Local laws for compliance with oversized loads.
- Adapt speed and care of the vehicle to the load being carried .
- Be conscious of load weight, high center of gravity is a roll over risk.
- All loads change the vehicles driving behavior and responsiveness.
- Do not use the Elevate Rack System for anything other than it's intended purpose.
- Do not exceed the maximum load capacity (load capacity does change by terrain).
- Do not drive without rack properly installed and fasteners torqued to specification.
- Know the overall height of every load. Be vigilant of low clearances.
- **Remove Elevate Rack System before entering automatic car washes.**
- Misuse of the Elevate Rack System will void the warranty and remove any legal liability from Truck Hero.

Any questions call 1-877-878-9336